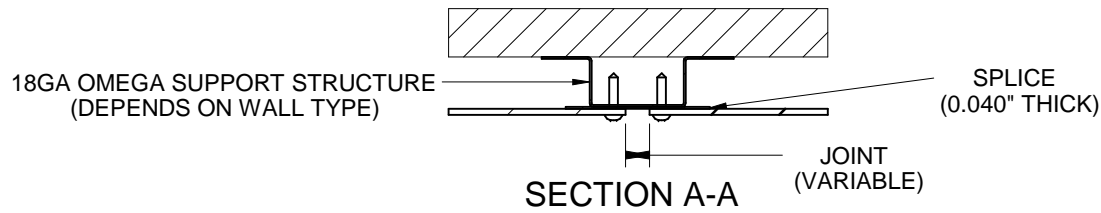
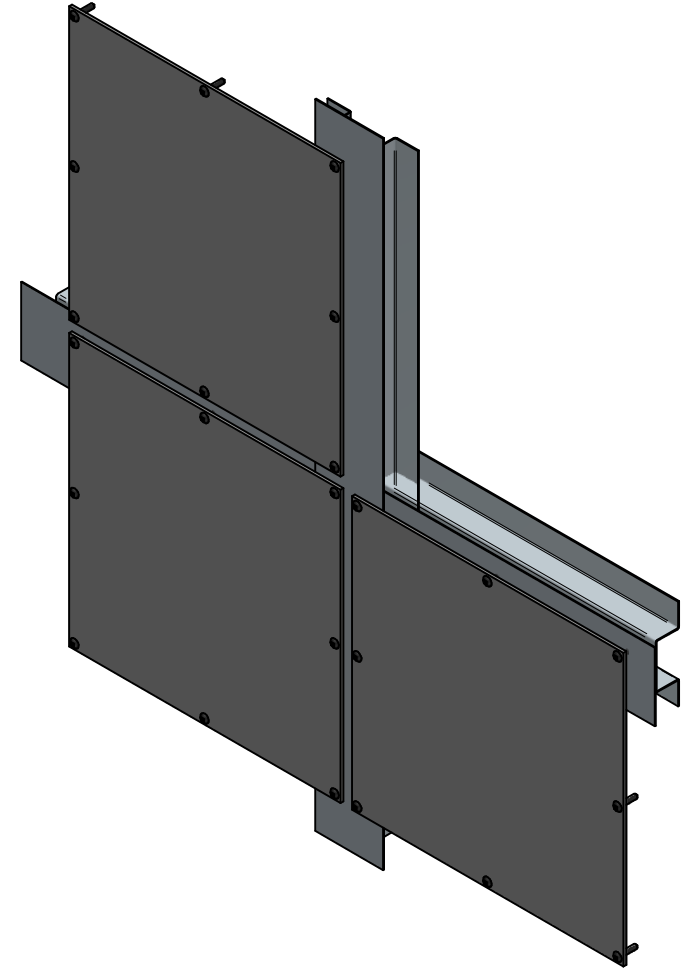
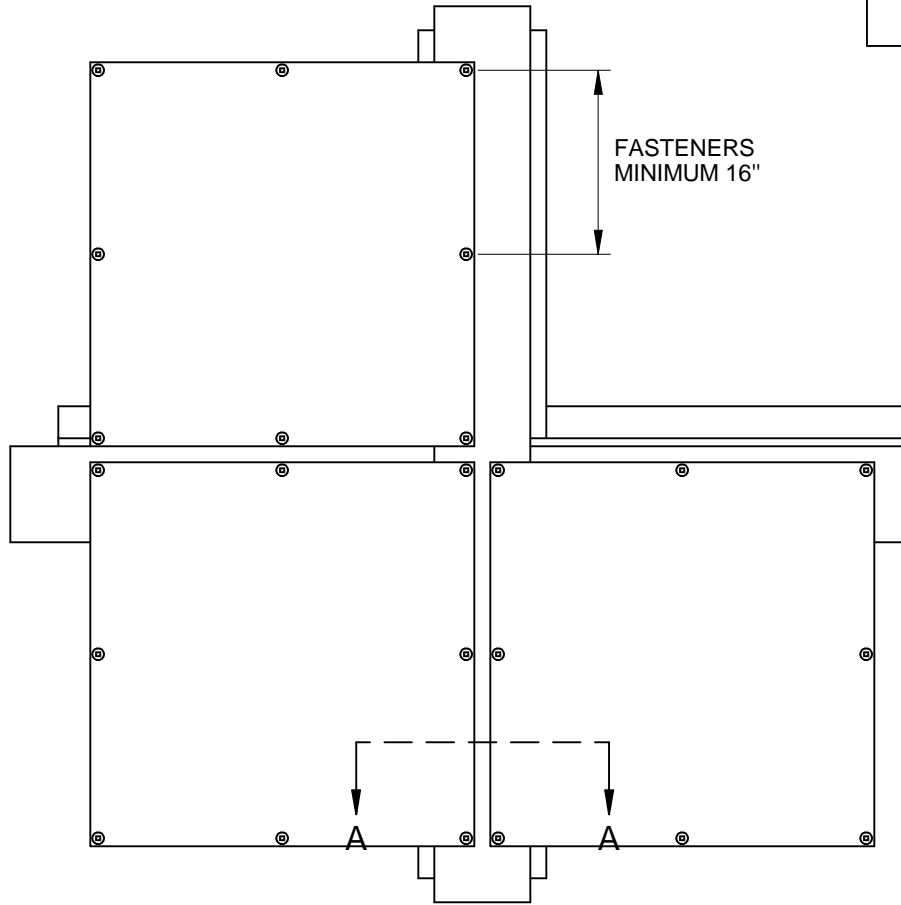


# CYR-100

- Flat, bent or perforated panels installed using dome-head screws
- 0.125" (3.2mm) aluminium
- Minimum spacing of 0.125" (3.2mm) between panels
- Available in both regular and custom design
- 0.040" (1mm) thick splice
- Maximum dimensions: 60" x 144" (1,524mm x 3,657.6mm)
- Fasteners @ 16" (406.4mm) minimum



**CYRELL**  
AMP

1455 Rue Louis-Marchand  
Beloil, QC, J3G 6S4  
450-467-2434  
www.cyrell.qc.ca - info@cyrell.qc.ca

TITLE: **CYR-100**

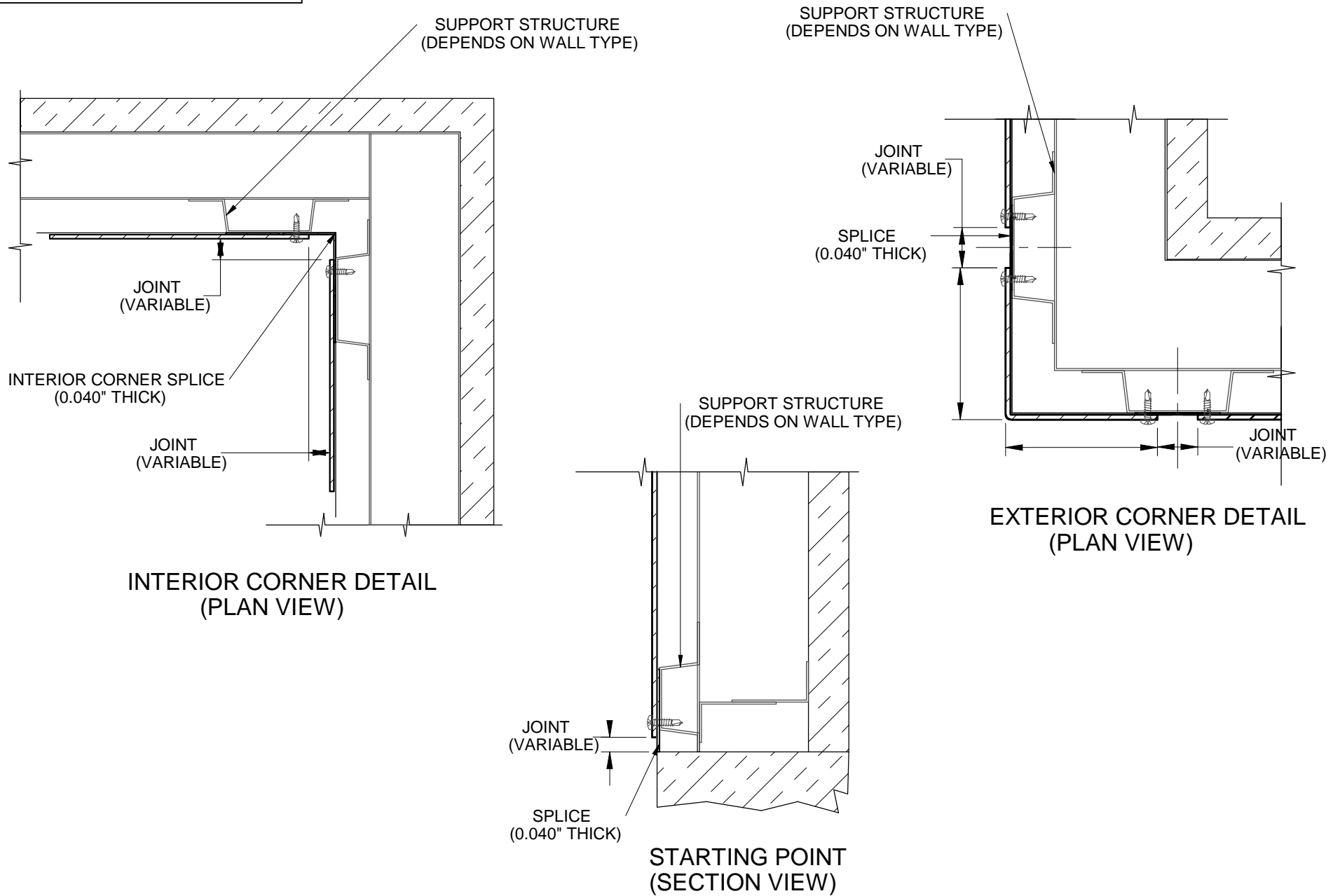
PROJECT: **TECHNICAL DETAILS**

NO:

**1/3**

THIS DRAWING IS CONFIDENTIAL AND MUST NOT BE REPRODUCED OR USED WITHOUT WRITTEN AUTHORIZATION OF CYRELL AMP.

# CYR-100



1455 Rue Louis-Marchand  
Beloil, QC, J3G 6S4  
450-467-2434  
www.cyrell.qc.ca - info@cyrell.qc.ca

TITLE: **CYR-100**

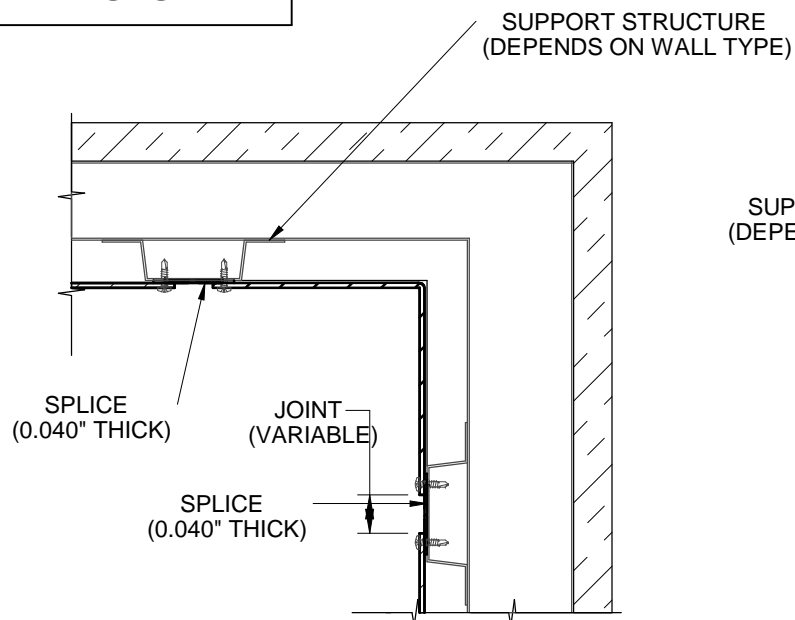
PROJECT: **TECHNICAL DETAILS**

NO:

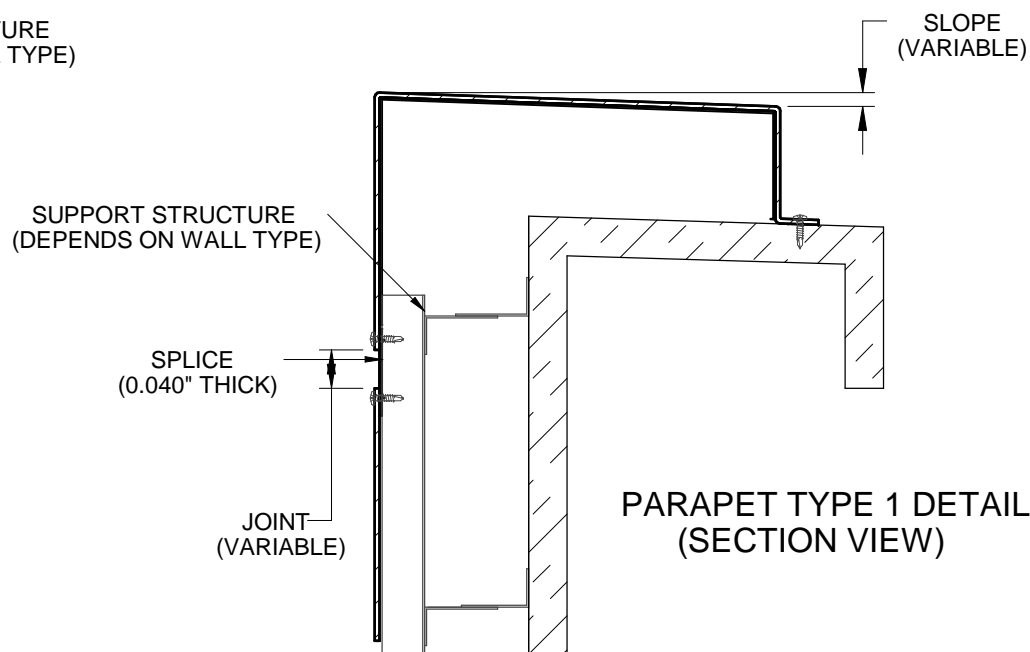
**2/3**

THIS DRAWING IS CONFIDENTIAL AND MUST NOT BE REPRODUCED OR USED WITHOUT WRITTEN AUTHORIZATION OF CYRELL AMP.

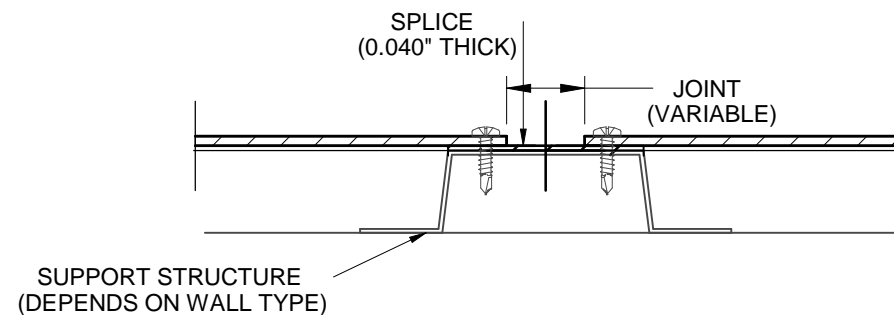
# CYR-100



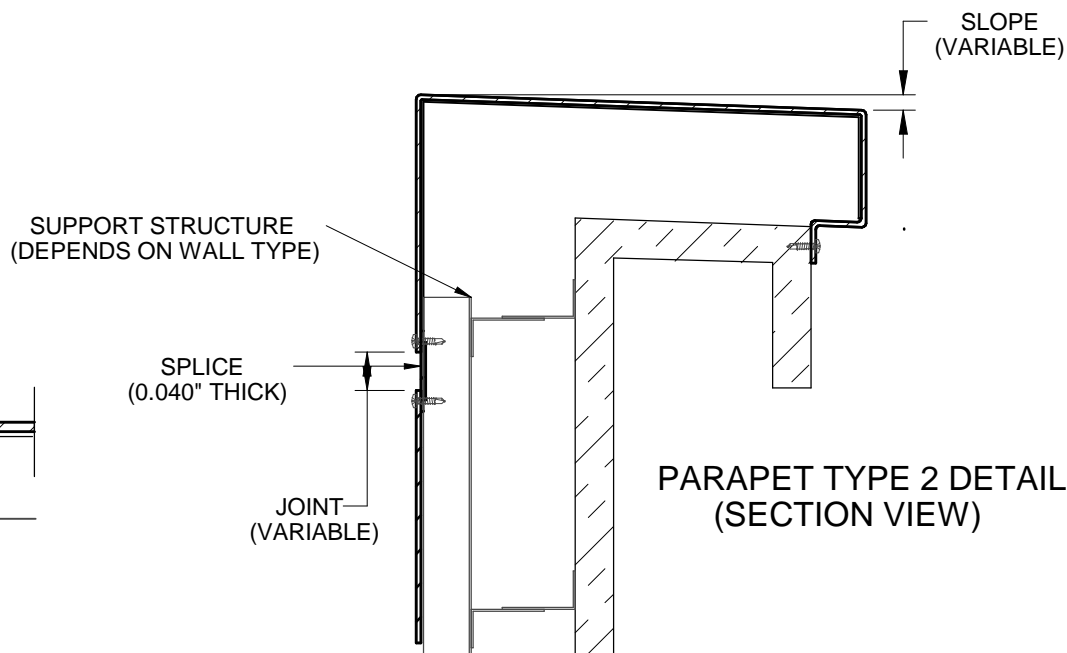
INTERIOR CORNER DETAIL  
(BENT PANEL, PLAN VIEW)



PARAPET TYPE 1 DETAIL  
(SECTION VIEW)



STANDARD JOINT DETAIL



PARAPET TYPE 2 DETAIL  
(SECTION VIEW)