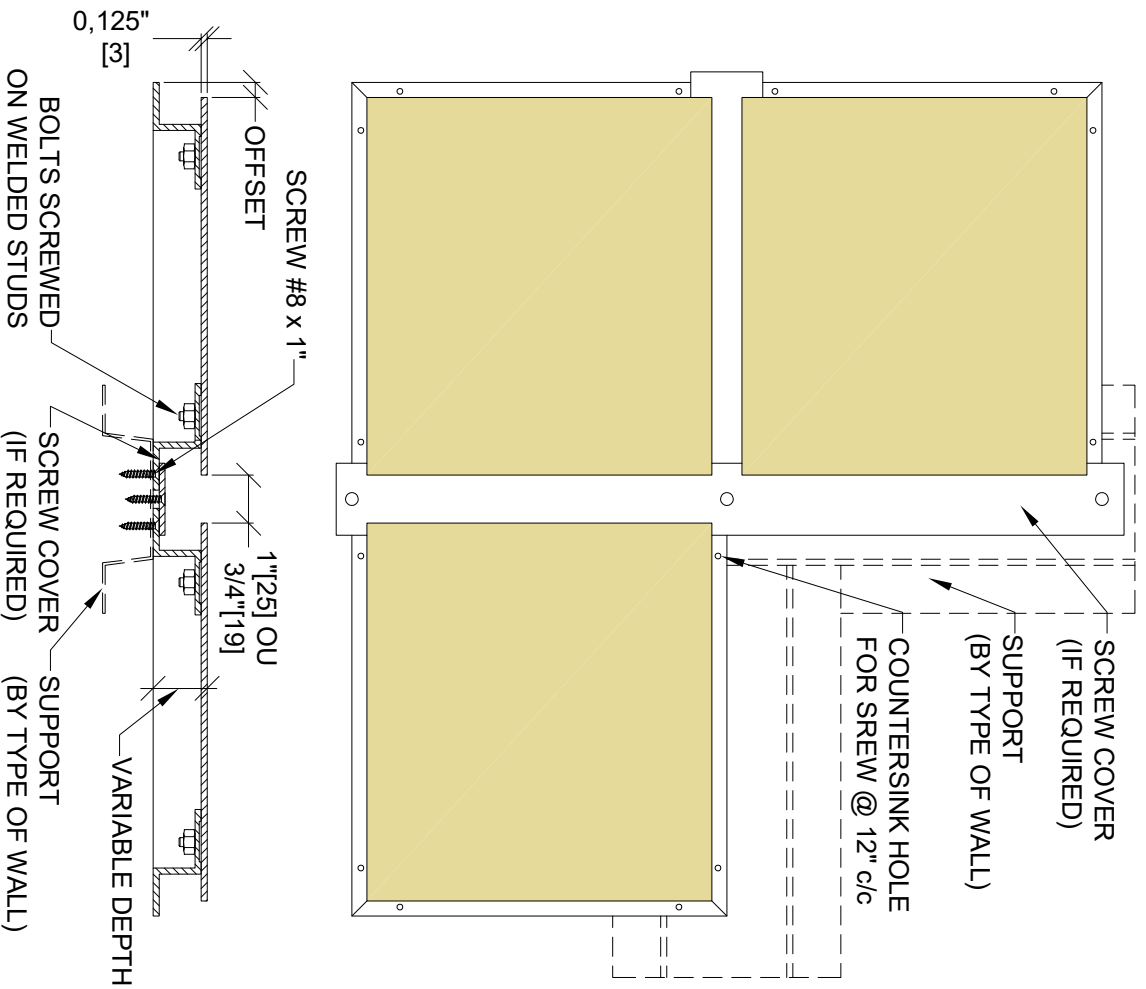
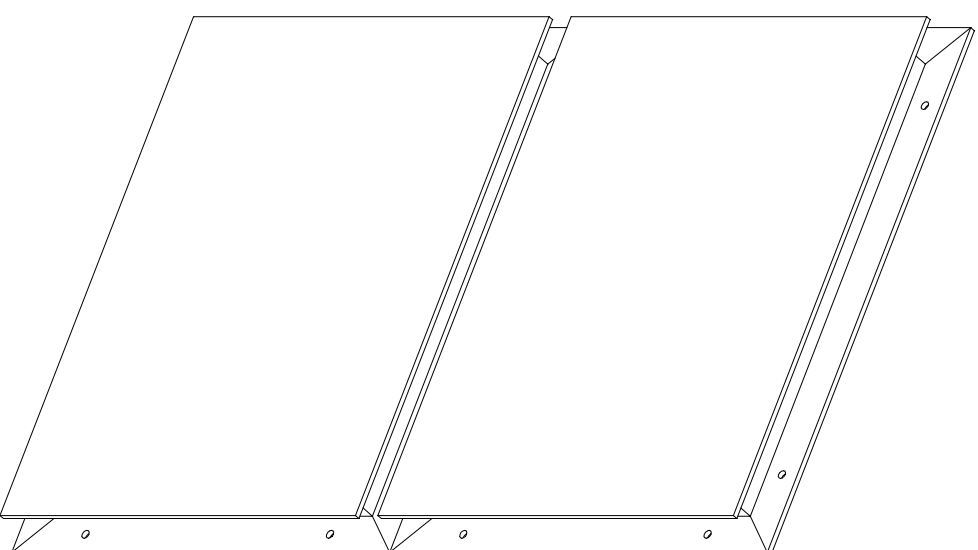


CYR 400



Panel (flat, bent, perforated or curved) with 7/8" or 1" Z extrusion. Aluminum 0.125" / 3.2mm (3003-H14 for painting & 5005-H34 for anodizing). Spacing between panels 0.75" or 1". Manufacturing of panels of regular & special forms. With or without screw cover. Several finishes available: natural, anodizing, powder or liquid paint. Limited dimensions for 60" x 144" and 72" x 144 anodizing. Variable depth.



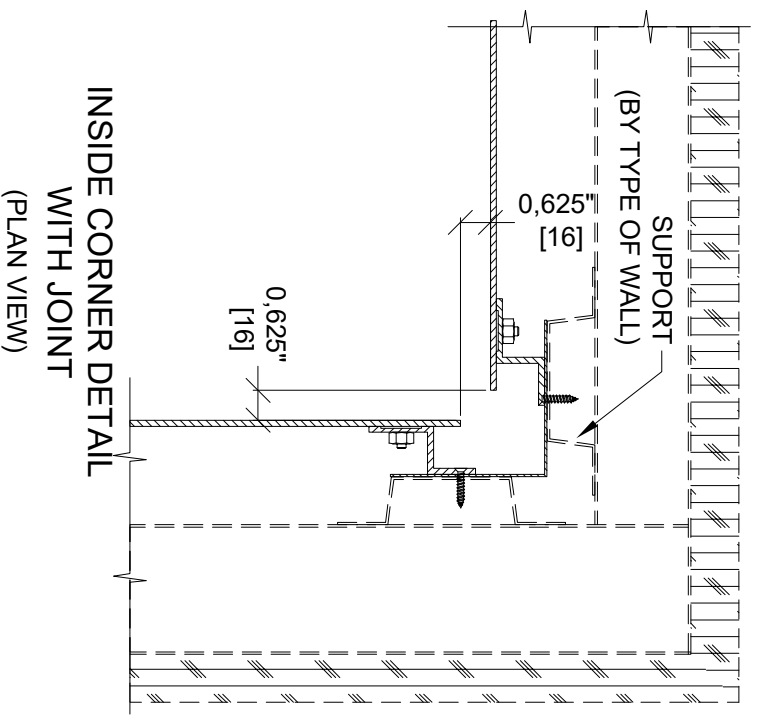
1101 Rue Louis-Marchand
 Beloeil, Qc, J3G 6S4
 450-467-2434
 www.cyrell.qc.ca



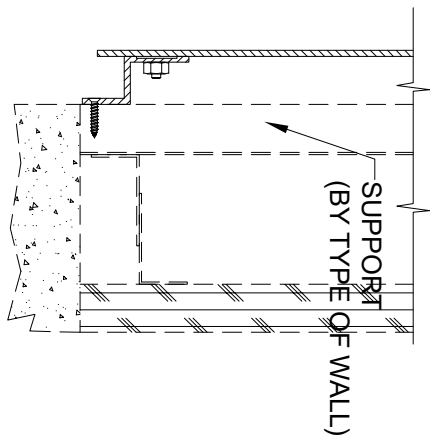
TITRE: CYR 400 - TYPICAL DETAIL
 PROJET: INSTALLATION GUIDE - TECHNICAL DETAILS

NO.:

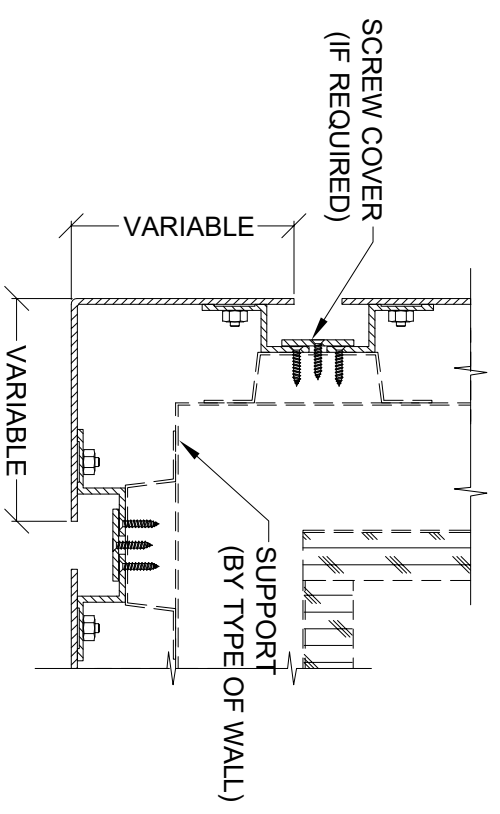
1/3



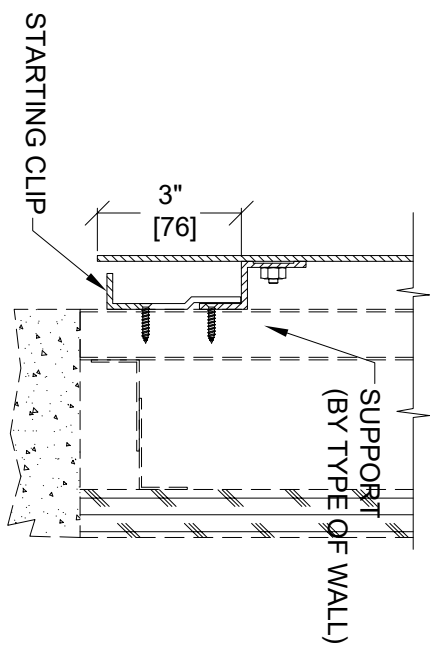
INSIDE CORNER DETAIL
WITH JOINT
(PLAN VIEW)



STARTING PANEL DETAIL
(ELEVATION VIEW)



OUTSIDE CORNER DETAIL
(PLAN VIEW)



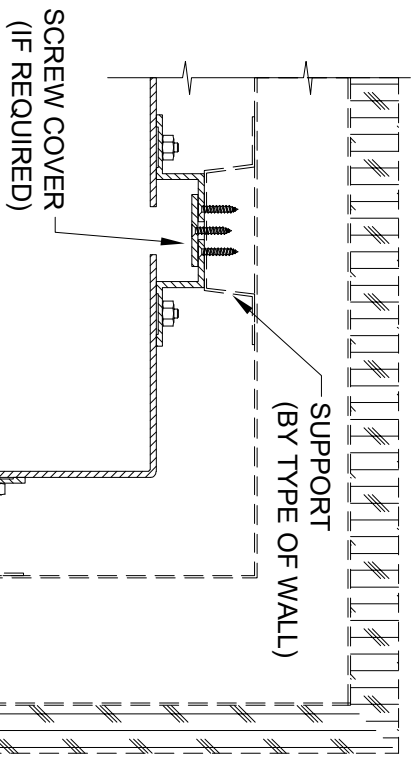
HOOKED STARTING PANEL DETAIL
(ELEVATION VIEW)

CYRELL AMP
 1101 Rue Louis-Marchand
 Beloeil, Qc, J3G 6S4
 450-467-2434
 www.cyrell.qc.ca

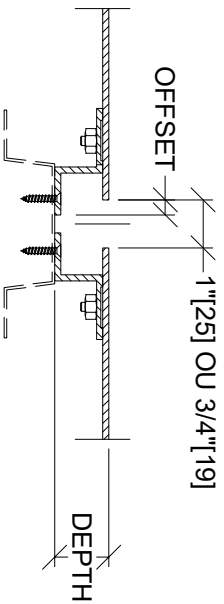
TITRE: **CYR 400 - TYPICAL DETAIL**
 PROJET: **INSTALLATION GUIDE - TECHNICAL DETAILS**

NO.: **2/3**

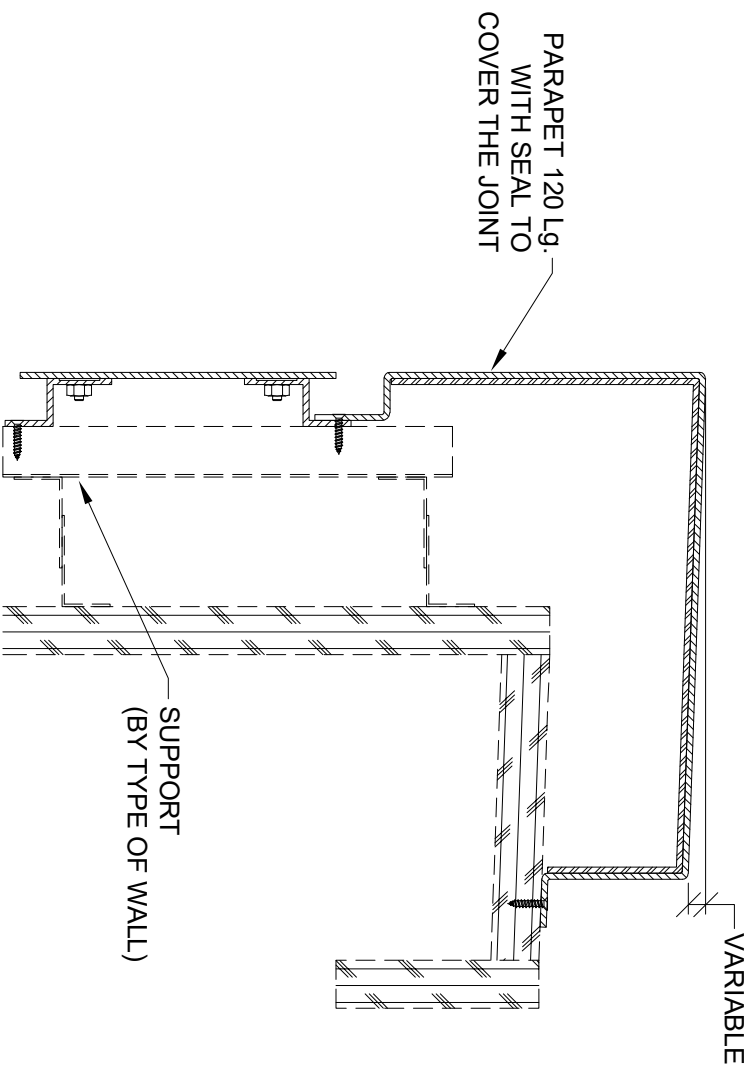
THIS DRAWING IS CONFIDENTIAL AND MUST NOT BE REPRODUCED OR USED WITHOUT THE WRITTEN CONSENT OF CYRELL AMP



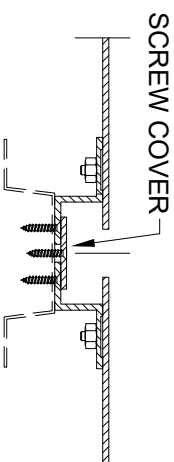
**INSIDE CORNER DETAIL
WITH JOINT
(PLAN VIEW)**



**STANDARD DETAIL
WITHOUT SCREW COVER**



**PARAPET DETAIL
(ELEVATION VIEW)**



**STANDARD DETAIL
WITH SCREW COVER**

TITRE:

CYR 400 - TYPICAL DETAIL

NO.:

INSTALLATION GUIDE - TECHNICAL DETAILS

3/3

1101 Rue Louis-Marchand
Beloeil, Qc, J3G 6S4
450-467-2434
www.cyrell.qc.ca



THIS DRAWING IS CONFIDENTIAL AND MUST NOT BE REPRODUCED OR USED WITHOUT THE WRITTEN CONSENT OF CYRELL AMP